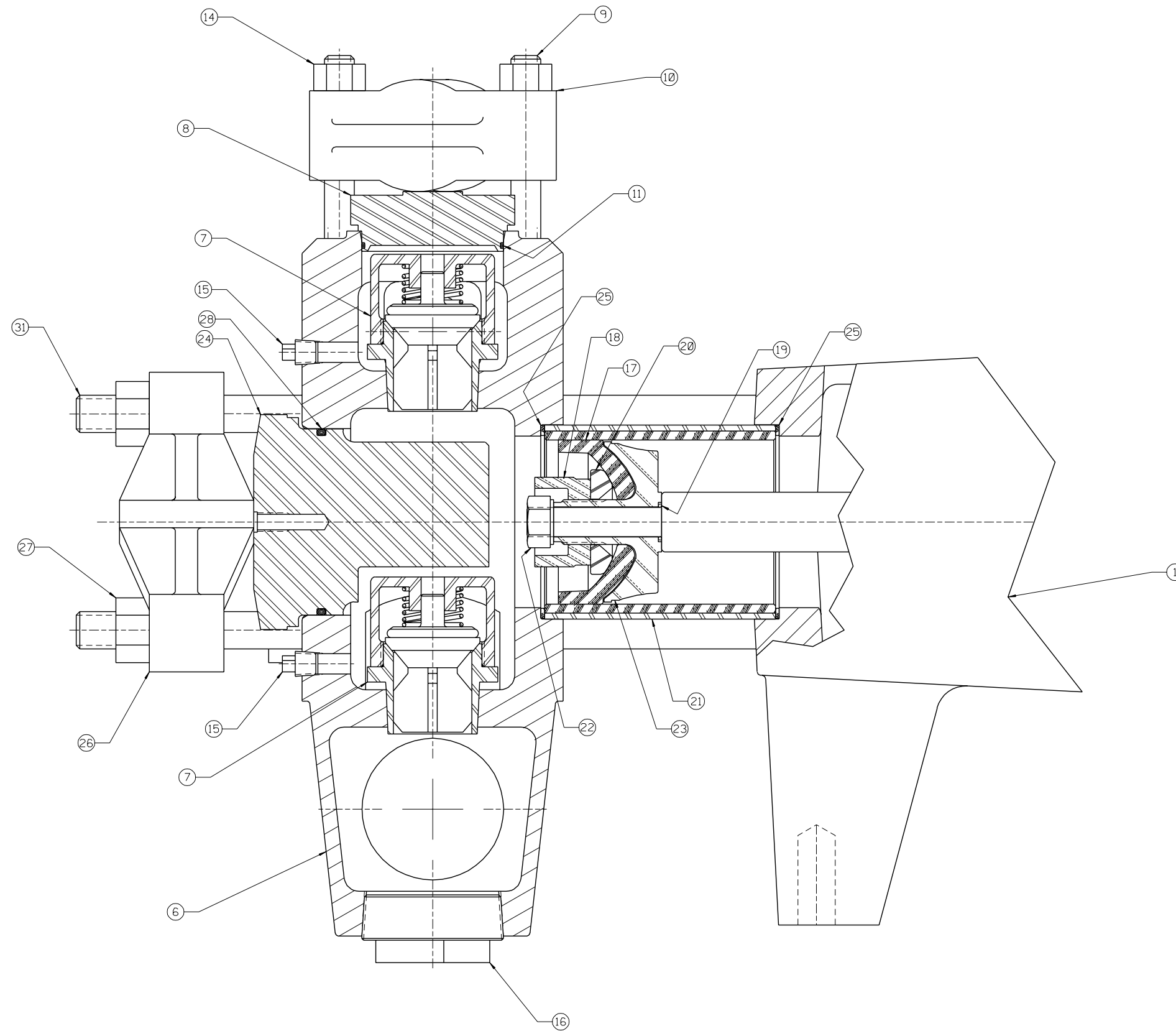


* THESE COMPONENTS ARE LOCATED IN THE FLUID CYLINDER ASSEMBLY, ITEM ②
 ** THESE COMPONENTS ARE LOCATED IN THE CYLINDER/PISTON GROUP, ITEM ③
 *** THESE COMPONENTS ARE LOCATED IN THE ATTACHING GROUP, ITEM ④



ITEM	NO. RECD	PART NO.	PART NAME
①	1	3269371	POWER END ASSEMBLY:
②	1	3267741	FLUID CYLINDER ASSEMBLY:
③	3	3269230	CYLINDER/PISTON GROUP:
④	1	5268138	ATTACHING GROUP:
⑤	1	5268145	CARTON/MANUAL GROUP:
* ⑥	1	3267743	FLUID CYLINDER:
* ⑦	6	3267652	VALVE ASSEMBLIES:
* ⑧	3	3267745	VALVE COVER: F/AR VALVES
* ⑨	6	1248372	STUD: 1/2-13 UNC-2A X 4.0 LG.
* ⑩	3	1247716	VALVE COVER CLAMP:
* ⑪	3	3264367	O-RING: 2 3/8" OD X 1/16" NOM., BUNA-N 90 DURO
* ⑫	2	1177205	CAPLUG: INT. 44 (NOT SHOWN)
* ⑬	2	1177202	CAPLUG: INT. 17S (NOT SHOWN)
* ⑭	6	1121511	HEX NUT: 1/2-13
* ⑮	4	1109973	PLUG: 1/8" PIPE
* ⑯	3	1105121	PLUG: 2" PIPE
** ⑰	3	3266810	CUP: HSN
** ⑱	3	A5016	PLUNGER NUT:
** ⑲	3	1101176	O-RING: 5/8" OD X 1/16" NOM., BUNA-N
** ⑳	3	1216753	WASHER:
** ㉑	3	1267586	CYLINDER: 2 3/4" ID
** ㉒	3	8309	NUT: 1/2-13
** ㉓	3	A91663	CUP HOLDER:
** ㉔	3	3267744	CYLINDER COVER: F/AR VALVES
** ㉕	6	1279676	GASKET: CYLINDER
*** ㉖	3	A80392	CYLINDER HEAD CLAMP:
*** ㉗	8	1121513	HEX NUT: 5/8-11
*** ㉘	3	1177476	O-RING: 3 1/8" OD X 1/8" NOM., BUNA-N
*** ㉙	1	1187039	PETCOCK: (NOT SHOWN)
*** ㉚	2	1248349	STUD: 5/8-11 UNC-2A X 9.50 LG. (NS)
*** ㉛	6	5251859	STUD: 5/8-11 UNC-2A X 12.25 LG.

NOTES:

- 1 TORQUE FASTENERS PER FMC ENGR SPEC AS-22
- 2 TEST PUMP PER FMC ENGR SPEC AS-15
- 3 STAMP NAMEPLATE WITH FOLLOWING DATA IN THE "RATED CONDITIONS" SPACES;

POWER	54 KW	73 HP
DISCH. PRESS.	10340 KPA	1500 PSI
SUCTION PRESS.		
FLOW RATE	284 LPM	75 GPM
SPEED		1275 RPM
TEMPERATURE		
TAG NO.		

- 4 PAINT PUMP PER FMC ENGR SPEC CP-36

This drawing is the property of FMC Corporation, and may not be used, reproduced, published, or disclosed to others without express authorization FMC Corp.		FMC Corporation Fluid Control Division 2825 W. Washington Box 1377 Stephenville, Texas 76481	
Unless Otherwise Specified: Remove all burrs & sharp corners .015 R. All diameters concentric within .001 I.D. Angles ±1/2° .XX ±.015 .XXX ±.005 Finish 125 RMS All dimensions are in inches		PUMP ASSEMBLY L1122D, W/2 1/2" NPT X 1 1/4" NPT FLUID END, FABRIC & HSN PISTON & AR VALVE ASSEMBLIES & HYD DRIVE, "DW"	
RELEASED FOR PRODUCTION	DRAWN	TT	08-26-97
ECN	DATE	SCALE:	NONE
REV	WAS	CDK. MLP	08-29-97
ECN	BY	APPD. RMC	08-29-97
5001266	09-02-97	SIZE	D P502719
		DRAWING NO.	P502719

P502719